

# KELVA Anti-Static equipment

## Power Units



### Avoiding Shutdowns

- Market leading reliability

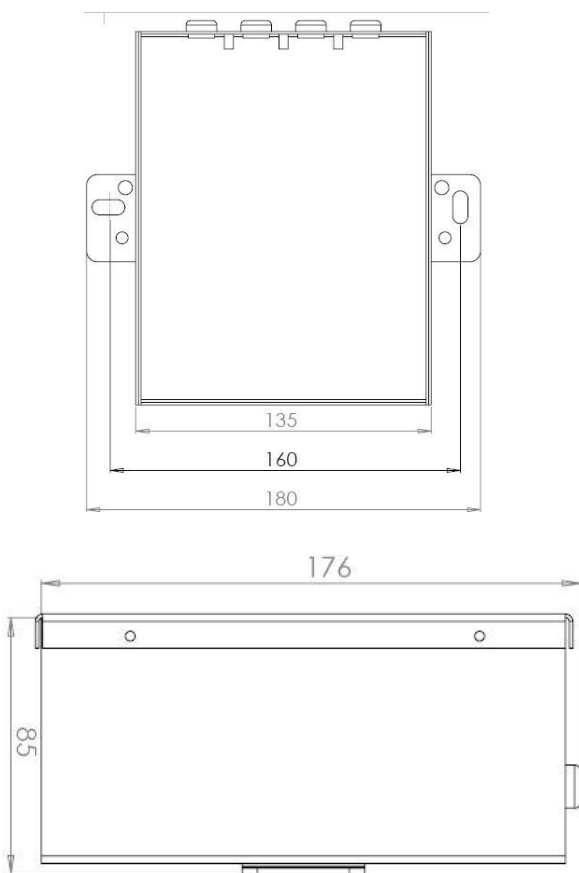
- Can serve up to two or four static discharge bars
- Bayonet connectors for fast and easy connection of static eliminators.
- Compact sizes suitable for machines in all sizes.

The Kelva Power Units produce high voltage, low current in a controlled and safe way to provide the power for the latest Kelva static dischargers.



Product name	Kelva Power Unit APU55-2 and APU55-4
Output	5.5kV
Input	230V or 115V, 50/60 Hz. Please specify voltage.  Illuminated double pole switch.  With 3m mains cable.
Maximum Load	ASD55 Bar 12m of combined Bar and HT Cable.
Options	Show status of high voltage and whether Bars need cleaning, with zero-volt signal showing status of mains voltage (for APU55-4 only).
Safety	Limited to 5mA maximum, more mA leads to shut down.  Construction IP54 rated.  CE, (UL and CB pending)

APU55-4 Power Unit



APU55-2 Power Unit

