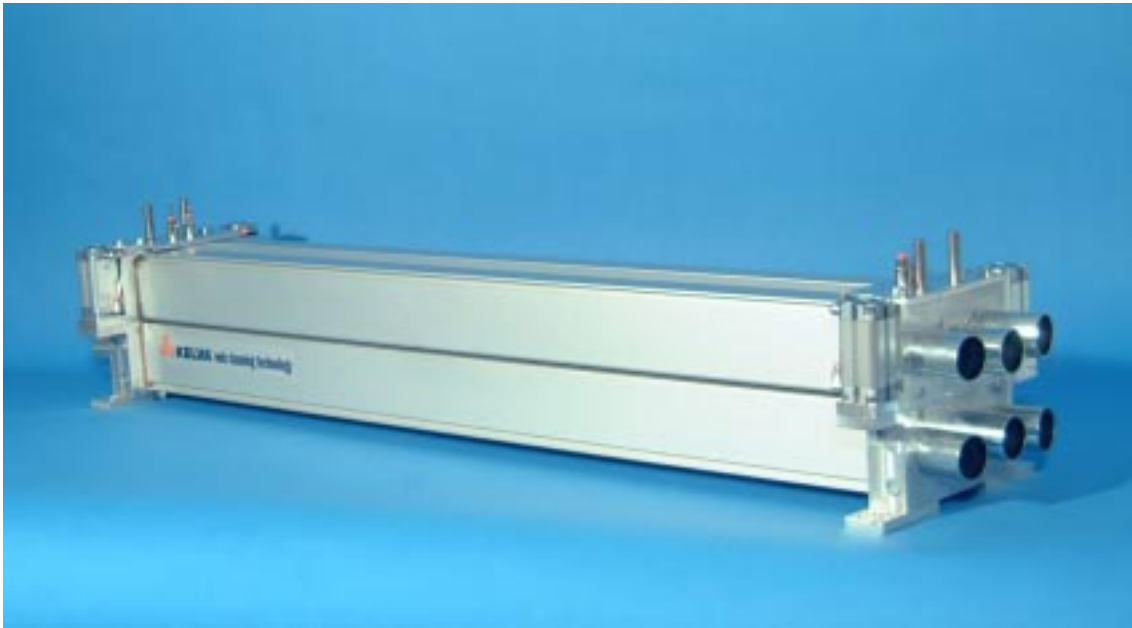


## WEB CLEANER

### Web cleaner head BR41



Based on 30 years of experience, we are now launching the 4th generation of web cleaner heads for moving webs, the KELVA BR41. Using our experience from more than 2,500 installations around the world, we have developed our concept even further. The BR41 is quieter, more efficient, and more flexible to install and adjust to suit your requirements.

KELVA web cleaners clean both sides of a moving web simultaneously. The web cleaner head breaks up the boundary layer along the web and the blown air creates turbulence and vibration that shakes loose the dust. The swirling dust is then vacuumed out through the web cleaner head into a filter where it is collected. The web cleaner is also equipped with an antistatic device, which eliminates static charges in the material.

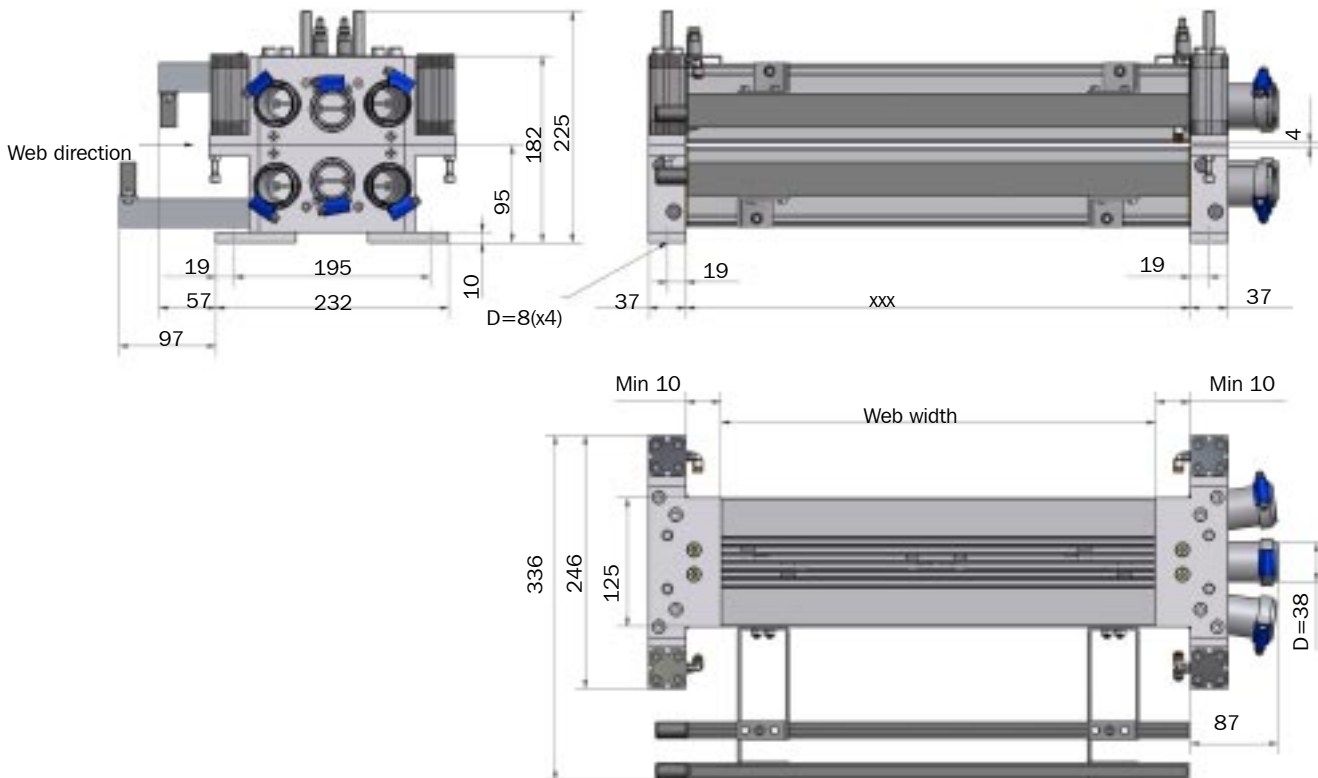


# Product description

Product name	KELVA web cleaner head BR41
Application	Cleaning of moving webs
Max profile length	1300 mm with connections at one end 4000 mm with connections at both ends
Profile length	Web width + minimum 20 mm
Opening options	Pneumatic, opening 40 or 100 mm
Antistatic system options	Passive carbon fibre discharger Active discharging
Additional options	Sound muffler hoods for extremely quiet environments

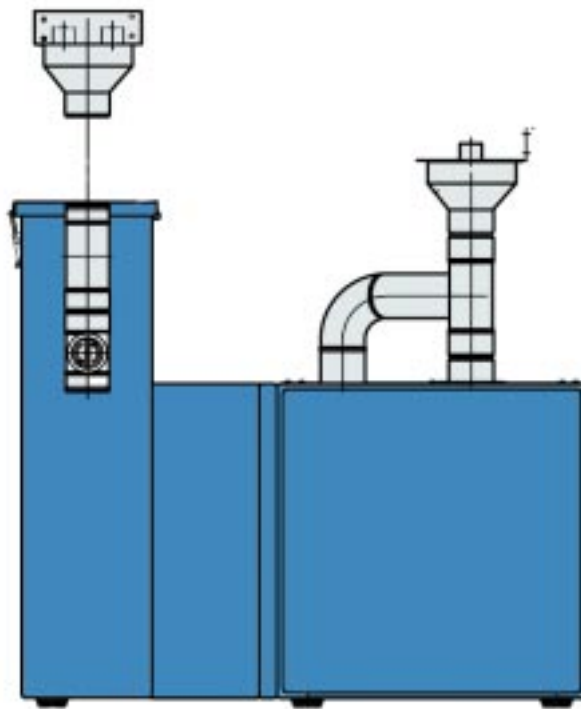
## Dimensions

All dimensions in mm



## WEB CLEANER

### Filter- and fan unit K-22



In order to provide the pressure and vacuum air necessary and to separate the dust removed, the web cleaner head is connected to a filter fan unit. The KELVA web cleaner K-22 is used for label, business forms and packaging printing. Equipped with micro filter KELVA web cleaner K-22 is capable to remove even microscopic particles with a size of 0,3 micron and leaves a virtually dust free web prior to printing.



## Product description

Product name	KELVA filter- and fan unit K-22
Application	For connection to web cleaner heads BR43, BR45 and BR71
Electrical data	220-240V/380-420V, 50Hz, 3 phase, 2.2kW, 4.9A 255-280V/440-480V, 60Hz, 3 phase, 2.5kW, 4.9A
Filter options	Textile, polyester or paper Microfilter
Control box options	Manual, type AB, Size: 158x80x125cm With filter alarms type C-230, Size: 430x300x188cm

## Dimensions

All dimensions in mm

